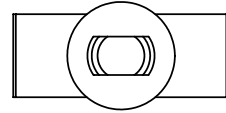
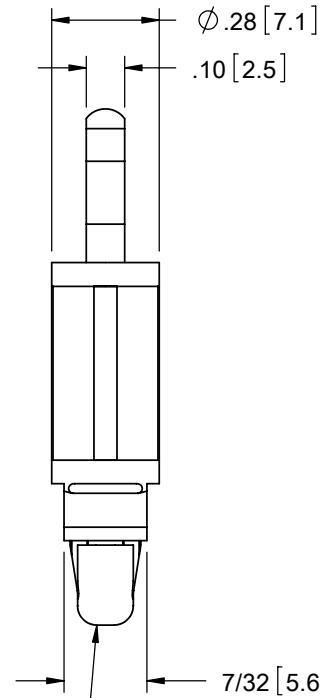
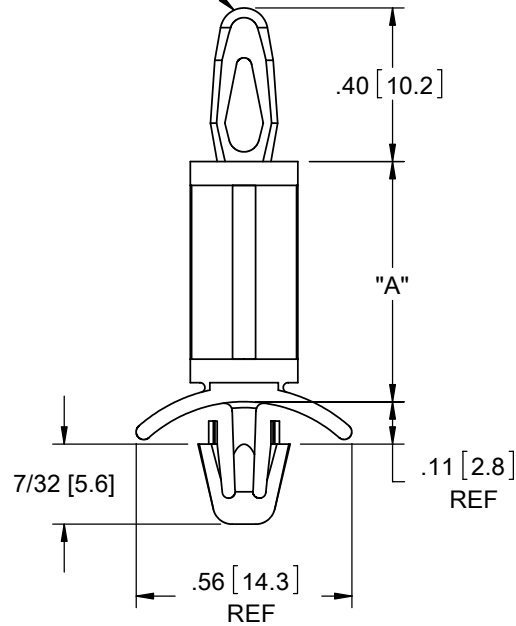


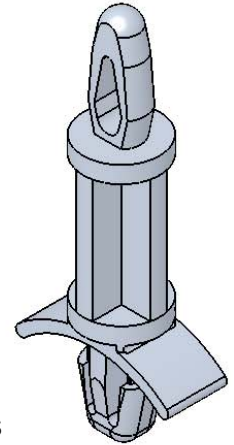
AVAILABLE BY SPECIAL ORDER- NAFTA REGION ONLY



TO SNAP-FIT IN A .156±.003  
[4±0.08] DIA. HOLE, IN A  
.062 [1.57] PANEL THICKNESS



TO SNAP-LOCK IN A .187±.003  
[4.75±0.08] DIA. HOLE, IN A  
.031-.078 [0.79-1.98] PANEL THICKNESS



| MATERIAL: NYLON 6/6<br>UL 94 V-2 (RMS-01)<br>PART NO. | DIM.<br>"A"±.015 [0.4] |
|---|------------------------|
| LCBS-4-3-01   | 3/16 [4.8]             |
| LCBS-4-4-01   | 1/4 [6.4]              |
| LCBS-4-5-01   | 5/16 [7.9]             |
| LCBS-4-6-01   | 3/8 [9.5]              |
| LCBS-4-7-01   | 7/16 [11.1]            |
| LCBS-4-8-01   | 1/2 [12.7]             |
| LCBS-4-10-01  | 5/8 [15.9]             |
| LCBS-4-12-01  | 3/4 [19.1]             |
| LCBS-4-14-01  | 7/8 [22.2]             |
| LCBS-4-16-01  | 1 [25.4]               |
| LCBS-4-18-01  | 1-1/8 [28.6]           |
| LCBS-4-20-01  | 1-1/4 [31.7]           |
| LCBS-4-22-01  | 1-3/8 [34.9]           |

NOTES:

1. MATERIAL: NYLON 6/6 UL 94 V-0 (RMS-19), AVAILABLE BY SPECIAL ORDER. TO ORDER REPLACE ".01" WITH "-19".
2. COLOR: NATURAL.
3. ALTERNATE UNITS FOR REFERENCE ONLY.

|   |                  |               |  |          |           |                |            |
|---|------------------|---------------|--|----------|-----------|----------------|------------|
| TITLE: <b>LOCKING CIRCUIT BOARD SUPPORT</b>       |                  |               |  |          |           | DWG IN IN [MM] |            |
| CREATED USING SOLIDWORKS                          | FILE #: LCBS-4   | DWN: SK       | APP: RT  | FINAL    |           |                |            |
| TOLERANCES UNLESS NOTED                           | SHEET: 1 OF 1    | SHEET SIZE: A | DT: 08/24/06   | CHKD: SJ | PART #    |                | PRINT TYPE |
| XX=±.010<br>.XXX=±.005<br>FRAC.=±1/64<br>ANG.=±1° | RE: RICHCO, INC. |               | RICHCO, INC.<br>ENG@RICHCO-INC.COM<br>(773) 539-4060 |          | SEE TABLE |                | CA         |

|      |                                    |       |          |
|------|------------------------------------|-------|----------|
| B    | REDRAWN, SEE ECN #1208 FOR CHANGES | SK    | 11/29/06 |
| A    | UPDATED PRINT AND CHANGED FILE NO. | SM    | 09/28/01 |
| REV. | DESCRIPTION                        | ENGR. | DATE     |